


[LANCIA](#) / [YPSILON](#) / [1.3 JTD](#) / [PROCEDURES](#) / [70 FITTINGS](#) / [7040 BODYSHELL INTERIOR TRIMS AND FITTINGS](#)  
 / [7040L CABIN FLOOR COVERING](#) / 7040L28 TUNNEL SWITCH PANEL - R R

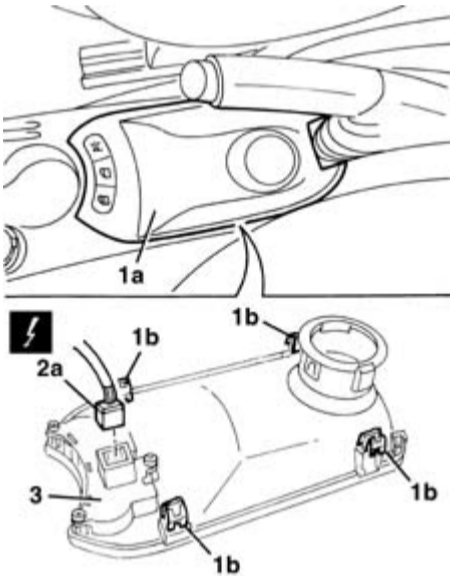
## 2429603 - 7040L28 tunnel switch panel - r r

 Removing ( [Refitting](#)  )

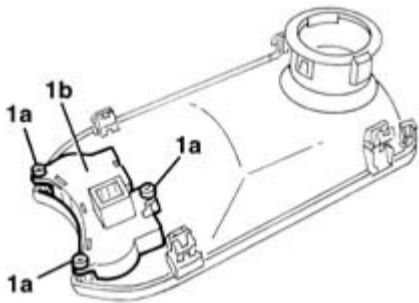
1. Move the switch trim (1a) releasing the retainers (1b).
2. Disconnect the electrical connection.



 Name	Connector
2a	<a href="#">H35</a>

3. Recover the trim.



1. If necessary, undo the bolts (1a) and keep the switch unit (1b).



 Refitting ( [Removing](#)  )

Check that the trim and switches are not damaged.

If removed, fit the switch unit and secure it with the bolts.

Connect the electrical connection.

Fit the trim and fit the retainers.

Check that the switches are working.