

[LANCIA](#) / [YPSILON](#) / [1.3 JTD](#) / [PROCEDURES](#) / [44 SUSPENSION AND WHEELS](#) / [4450 WHEELS AND HUBS](#)
 / [4450D REAR WHEEL HUBS](#)

/ 4450D14 HUB AXLE PILLAR OF ONE REAR WHEEL, L/H OR R/H - R+R WITH HUB REMOVED - INCLUDES BUSH REPLACEMENT IF NECESSARY

2429273 - 4450D14 hub axle pillar of one rear wheel, l/h or r/h - r+r with hub removed - includes bush replacement if necessary

 Removing ([Refitting](#) )

Remove the protective cap from the bleed screw for the rear brake cylinder.

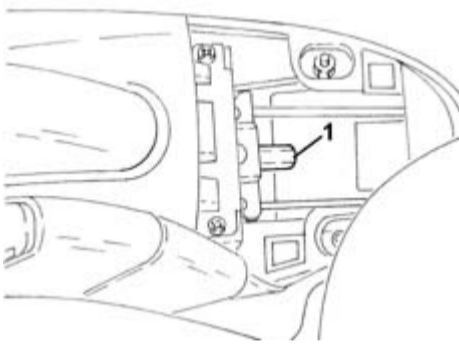
Connect the collection system (pipe and reservoir) to the bleed valve on the rear brake cylinder.

Loosen the bleed valve on the rear brake cylinder.

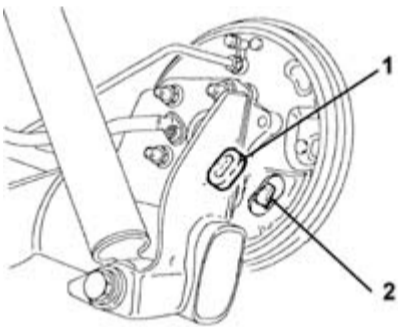
Wait for the brake-clutch reservoir to drain.

Proceed with removal - [7040L22 REAR TRIM on TUNNEL -R.R.](#) .

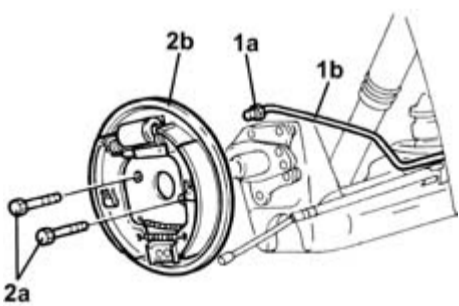
1. Loosen the handbrake cable adjustment nut.



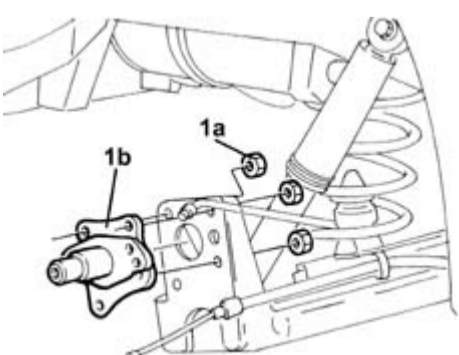
1. Remove the cap.
2. Disconnect the handbrake cable from the rear brake.




1. Undo the connector (1a) and disconnect the rigid pipe from the rear brake cylinder (1b), cylinder side.
2. Undo the bolts (2a) and remove the rear drum brake assembly (2b).




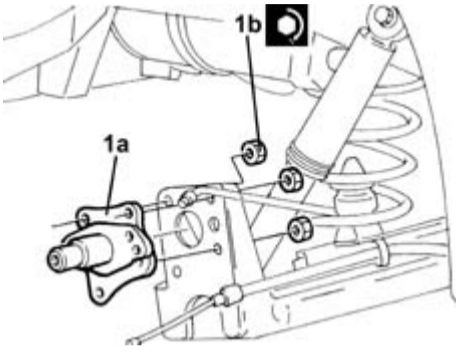
1. Undo the nuts (1a) and remove the rear wheel stub axle (1b).




 Refitting ([Removing](#) )

1. Place the rear wheel hub stub axle (1a) back in its housing and secure it tightening the nuts (1b) to the recommended torque.


	Fastening	Component	Ø	Value (daNm)
1b	Nut	REAR KNUCKLE	M10	(Axle side) 5.4 ÷ 6.6

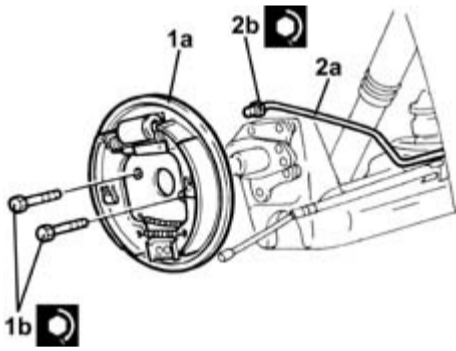


1. Place the rear drum brake assembly (1a) back in its housing and secure it tightening the bolts (1b) to the recommended torque.

	Fastening	Component	Ø	Value (daNm)
1b	Bolt	REAR KNUCKLE	M8	(Rear brake assembly side) 2.3 ÷ 2.8

2. Connect the rigid pipe to the rear brake cylinder (2a), cylinder side and tighten the connector (2b) to the recommended torque.

	Fastening	Component	Ø	Value (daNm)
2b	Connector	RIGID PIPE REAR CYLINDERS (ABS)	-	(Rear brake shoe cylinder side.) 1.4 ÷ 1.8



Connect the handbrake cable to the rear brake.

Place the plug back in position.

Proceed with refitting - [0010T64 brake and or clutch fluid check level and top up as necessary](#) .

Proceed with refitting - [0010T65 hydraulic brake system bleed air](#) .

Proceed with refitting - [3380A04 handbrake - check travel](#) .

Proceed with refitting - [7040L22 REAR TRIM on TUNNEL -R.R.](#) .