


[FIAT](#) / [PANDA](#) / [1.2 8V](#) / [PROCEDURES](#) / [21 GEARBOX UNIT](#)
 / [2127 ELECTRO-HYDRAULIC SELECTION. GEARBOX EXTERNAL CONTROLS](#) / [2127C HYDRAULIC GEAR SELECTION SYSTEM](#)
 / 2127C54 GEAR SELECTOR SOLENOID VALVES - R.R.

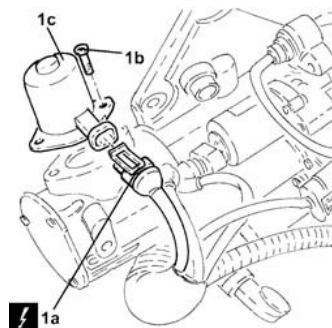
2752684 - 2127C54 GEAR SELECTOR SOLENOID VALVES - R.R.



 Removing ([Refitting](#) )

- [5530B10 battery - r+r](#)
- [5530B56 BATTERY DRIP TRAY COVER - R.R.](#)
- [5530B52 Battery DRIP TRAY/SUPPORT - R.R.](#)
- [2127C40 hydraulic speed selection hydraulic actuator unit and clutch - r r](#)

1. Disconnect the electrical connection (1a), undo the bolts (1b) and remove the gear selection solenoid (1c).


	Name	Connector
1a	Solenoid 3 gear engagement	L53



 Refitting ([Removing](#) )

Fit the gear selection solenoid in its seating and tighten the fixing bolts.

Connect the electrical connection for the gear selection solenoid.

	Name	Connector
-	Solenoid 3 gear engagement	L53

- [2127C40 hydraulic speed selection hydraulic actuator unit and clutch - r r](#)
- [0010T21 coolant check density and top up if necessary](#)
- [0010T47 hydraulic system fluid for gearbox with hydraulic selection check level and top up if necessary](#)
- [0010T48 hydraulic system for gearbox with hydraulic selection bleed air](#)
- [5530B52 Battery DRIP TRAY/SUPPORT - R.R.](#)
- [5530B56 BATTERY DRIP TRAY COVER - R.R.](#)
- [5530B10 battery - r+r](#)

Connect the Examiner diagnostic instrument and initialise the gear engagement/selection positions, checking that the engagement travel is correct.