


[FIAT](#) / [PANDA](#) / [1.2 8V](#) / [PROCEDURES](#) / [21 GEARBOX UNIT](#) / [2127 ELECTRO-HYDRAULIC SELECTION GEARBOX EXTERNAL CONTROLS](#)
/ [2127C HYDRAULIC GEAR SELECTION SYSTEM](#) / 2127C30 HYDRAULIC SPEED SELECTION SYSTEM PUMP - R R

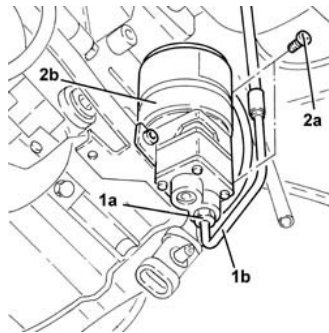
2752680 - 2127C30 hydraulic speed selection system pump - r r



 Removing ([Refitting](#) )

- [5530B10 battery - r+r](#)
- [5530B56 BATTERY DRIP TRAY COVER - R.R.](#)
- [5530B52 Battery DRIP TRAY/SUPPORT - R.R.](#)
- [2127C12 hydraulic gear selection fluid reservoir - r r](#)

 The Parts Department supplies the pump together with the high-pressure supply pipe and the O-ring.

1. Undo the connector (1a) and disconnect the high-pressure pipe (1b), pump side.
2. Undo the fixing bolts (2a) and remove the electrohydraulic gear selection system pump (2b) complete with O-ring.



 Refitting ([Removing](#) )

Place the electrohydraulic gear selection system pump in its seating and secure it with the bolts.

Connect the high-pressure supply pipe to the pump and secure it with the connector.

- [2127C12 hydraulic gear selection fluid reservoir - r r](#)
- [0010T21 coolant check density and top up if necessary](#)
- [0010T47 hydraulic system fluid for gearbox with hydraulic selection check level and top up if necessary](#)
- [0010T48 hydraulic system for gearbox with hydraulic selection bleed air](#)
- [5530B52 Battery DRIP TRAY/SUPPORT - R.R.](#)
- [5530B56 BATTERY DRIP TRAY COVER - R.R.](#)
- [5530B10 battery - r+r](#)