

[FIAT](#) / [PANDA](#) / [1.2 8V](#) / [PROCEDURES](#) / [21 GEARBOX UNIT](#) / [2127 ELECTRO-HYDRAULIC SELECTION. GEARBOX EXTERNAL CONTROLS](#)
 / [2127C HYDRAULIC GEAR SELECTION SYSTEM](#) / 2127C20 PIPE FROMPUMP TO HYDRAULIC SPEED SELECTION ACTUATOR UNIT - R R

2752678 - 2127C20 pipe frompump to hydraulic speed selection actuator unit - r r

 Removing ([Refitting](#) )

Position the vehicle on the ramp.



Connect the Examiner and carry out the procedure to depressurise the gear actuation hydraulic circuit.

To ensure depressurisation is successful, ensure:

- there are no errors
- the brake pedal is maintained depressed.

 Disconnect the electrical connection for the electric pump; the circuit will return to service pressure (45 bars) when the key is turned ON.

- [5530B10 battery - r+r](#)

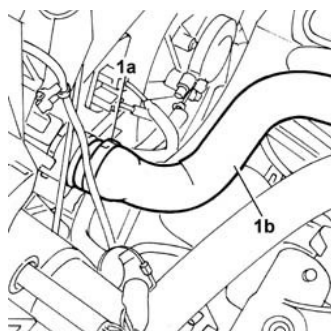
- [5530B56 BATTERY DRIP TRAY COVER - R.R.](#)

- [5530B52 Battery DRIP TRAY/SUPPORT - R.R.](#)


Position a suitable container to collect the coolant.

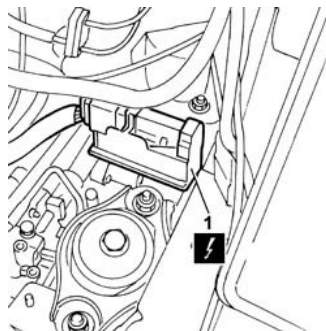
1. Open the retaining band (1a) and disconnect the pipe (1b), radiator side.

Move the pipe away from the work area.

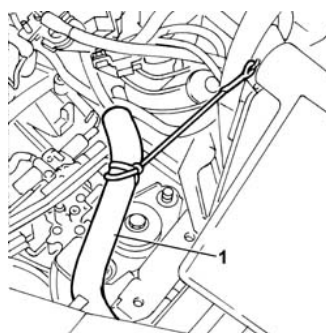


1. Disconnect the electrical connection for the braking system control unit.

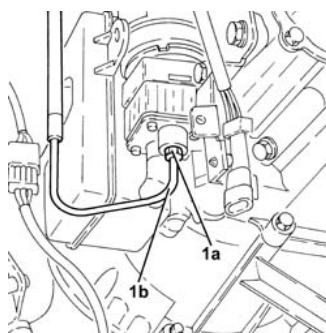
	Name	Connector
1	Braking system control unit	M51



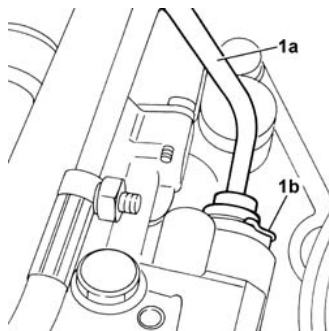
1. Move the front wiring section from the work area.





1. Undo the connector (1a) and disconnect the high-pressure supply pipe (1b) from the pump to the electro-hydraulic gear selection hydraulic unit, pump side.



1. Undo the clip (1a) and disconnect the high-supply pipe (1b) between the electric pump and the electro-hydraulic gear selection hydraulic unit, hydraulic unit side.




 Refitting ([Removing](#) )

Fit the high-pressure pipe from the pump to the electrohydraulic gear selection hydraulic unit.

Connect the pipe on both sides to the respective units and tighten the fixing connectors.

Refit the front wiring section.

Connect the electrical connection for the braking system control unit.

	Name	Connector
-	Braking system control unit	M51

Connect the pipe from radiator to engine, radiator side, and secure it with the retaining band.

- [0010T21 coolant check density and top up if necessary](#)
- [0010T47 hydraulic system fluid for gearbox with hydraulic selection check level and top up if necessary](#)
- [0010T48 hydraulic system for gearbox with hydraulic selection bleed air](#)
- [5530B52 Battery DRIP TRAY/SUPPORT - R.R.](#)
- [5530B56 BATTERY DRIP TRAY COVER - R.R.](#)
- [5530B10 battery - r+r](#)

Remove the vehicle from the lift.