


[FIAT](#) / [PANDA](#) / [1.2 8V](#) / [PROCEDURES](#) / [00 MAINTENANCE](#) / [0010 NEW UNITS AND PLANNED MAINTENANCE](#) / [0010T VEHICLE OIL AND FLUIDS](#)
/ 0010T47 HYDRAULIC SYSTEM FLUID FOR GEARBOX WITH HYDRAULIC SELECTION CHECK LEVEL AND TOP UP IF NECESSARY

2752382 - 0010T47 hydraulic system fluid for gearbox with hydraulic selection check level and top up if necessary

Remove the car from the ramps.

 The Selespeed system fluid level should be checked with the vehicle on a flat surface and the engine switched off and cold.

Refer to op.. [5530B10 battery - r+r](#)

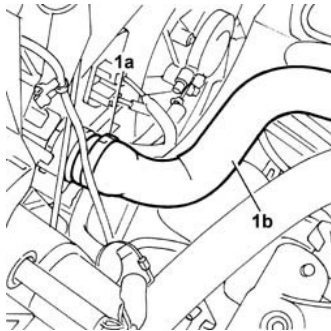
Refer to op.. [5530B56 BATTERY DRIP TRAY COVER - R.R.](#)

Refer to op.. [5530B52 Battery DRIP TRAY/SUPPORT - R.R.](#)


Position a suitable container to collect the coolant.

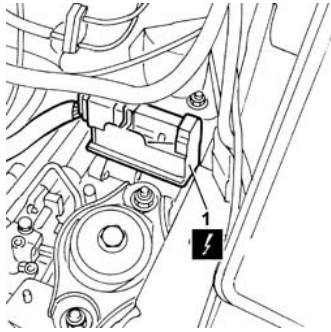
1. Open the retaining band (1a) and disconnect the pipe (1b), radiator side.

Move the pipe away from the work area.

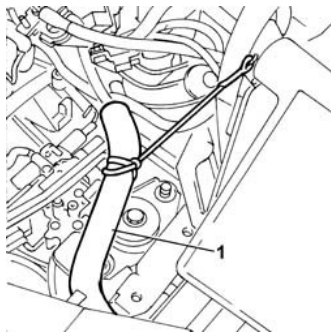


1. Disconnect the electrical connection from the braking system control unit.

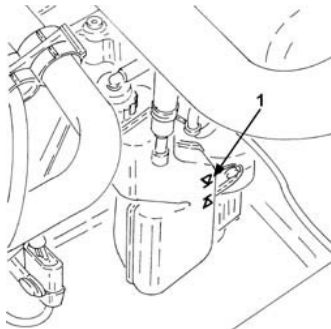
|  | Name | Connector |
|---|-----------------------------|-----------|
| 1 | Braking system control unit | M51 |



1. Move the section of front cable away from the work area.




1. Check that the fluid level corresponds to the MAX notch on the reservoir.



If the level is below the MAX mark, add fluid until the level is correct.


| 📄 | Type | Component | Name | Qty. |
|---|-----------|------------------------------------|---------------------|------|
| - | Fluid [l] | HYDRAULIC GEARBOX HYDRAULIC SYSTEM | TUTELA CAR CS SPEED | 0.7 |

 The table shows the total quantity of fluid present in the hydraulic circuit of the electrohydraulic gear selection system.

Retighten the plug and check that the breather pipe is correctly fitted on the cap beak.

Refit the front wiring section.

Connect the electrical connection to the braking system control unit.

|  | Name | Connector |
|---|-----------------------------|-----------|
| - | Braking system control unit | M51 |

Connect the pipe from radiator to engine, radiator side, and secure it with the retaining band.

Refer to op.. [0010T21 coolant check density and top up if necessary](#)

Refer to op.. [0010T48 hydraulic system for gearbox with hydraulic selection bleed air](#)

Refer to op.. [5530B52 Battery DRIP TRAY/SUPPORT - R.R.](#)

Refer to op.. [5530B56 BATTERY DRIP TRAY COVER - R.R.](#)

Refer to op.. [5530B10 battery - r+r](#)

Remove the vehicle from the lift.